

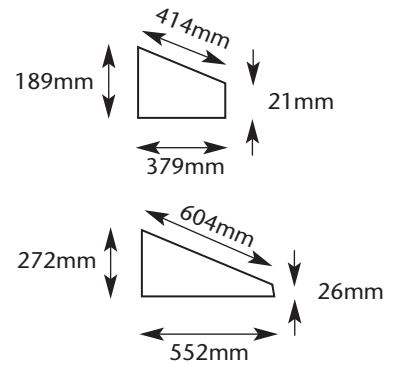
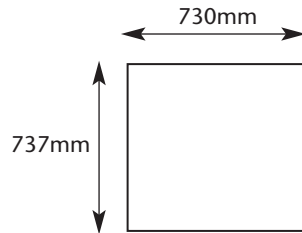
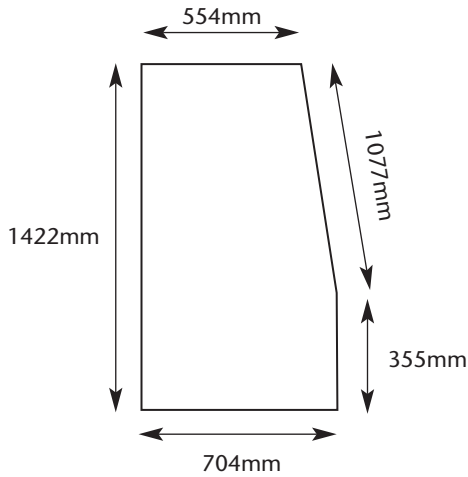


GLAZING GUIDE

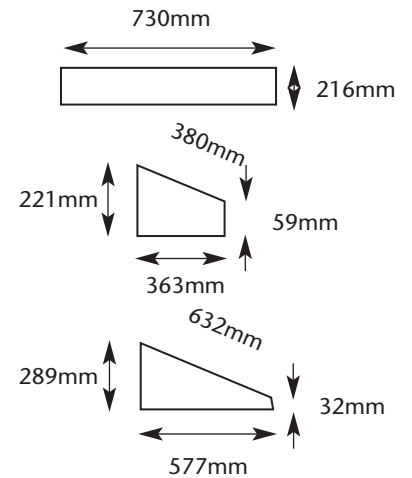
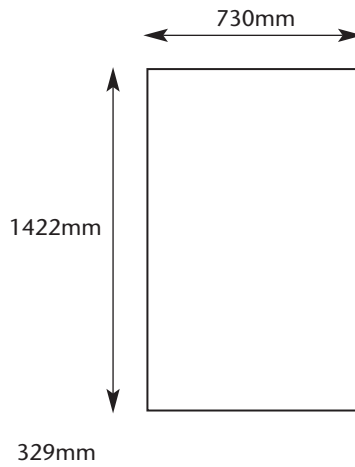
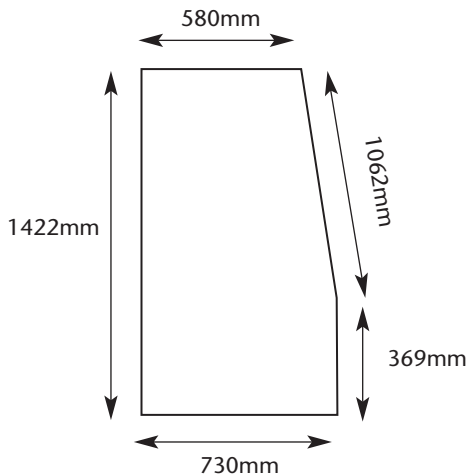
8' WIDE AMATEUR GREENHOUSES

DIMENSIONS FOR THE 8' AMATEUR SERIES

DOOR END GABLE GLASS

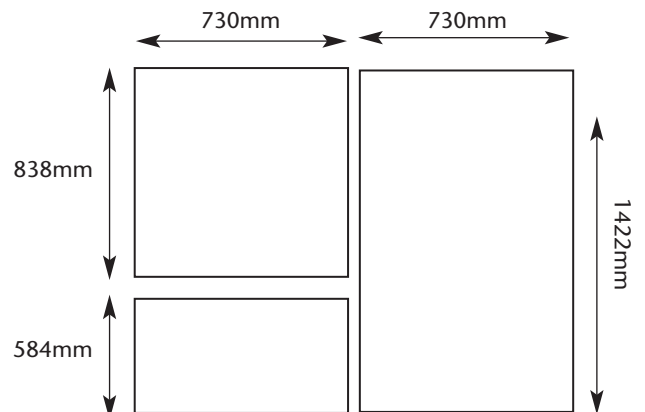


PLAIN END GABLE GLASS



SIDE PANEL GLASS

ROOF PANEL GLASS



Diagrams not to scale. For guidance only

WE USE 3mm HORTICULTURAL GLASS AS STANDARD, 4mm TOUGHENED GLASS AS AN OPTIONAL EXTRA



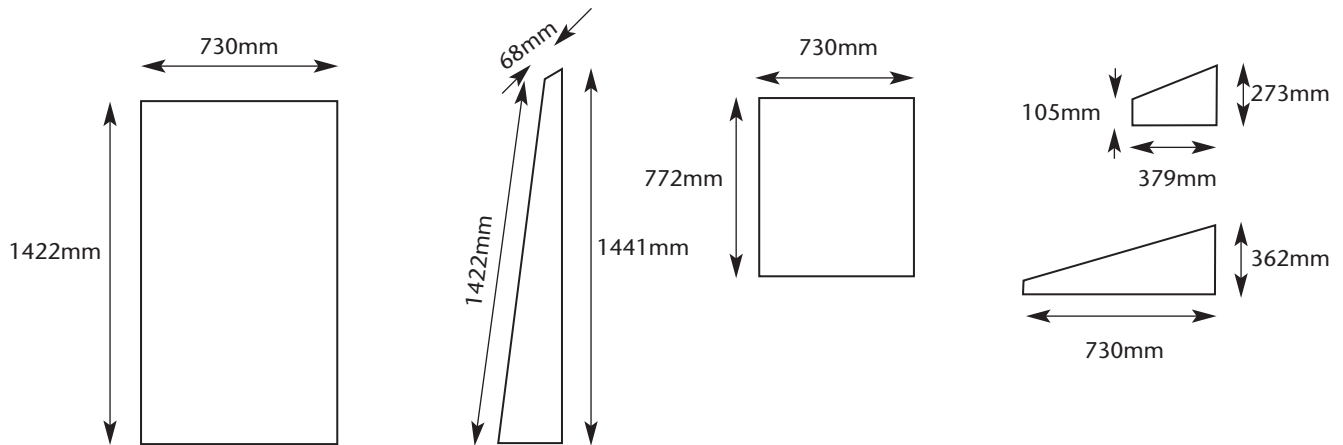
GLAZING GUIDE

8' WIDE AMATEUR GREENHOUSES

DIMENSIONS FOR THE 8' AMATEUR SERIES

GLASS DETAILS FOR LEFT HAND PARTITION SECTION

The right hand glass are exactly the same size



Diagrams not to scale. For guidance only

WE USE 3mm HORTICULTURAL GLASS AS STANDARD, 4mm TOUGHENED GLASS AS AN OPTIONAL EXTRA