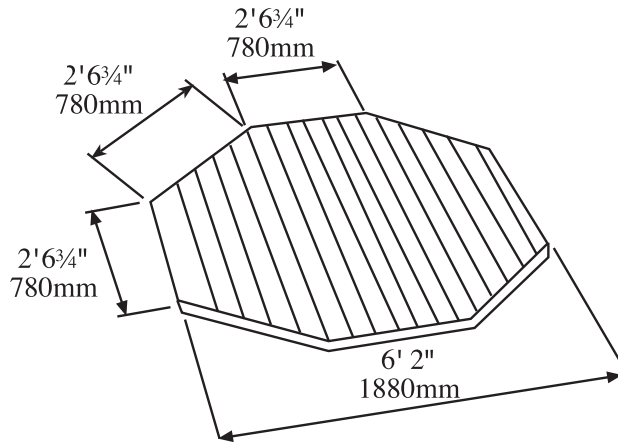




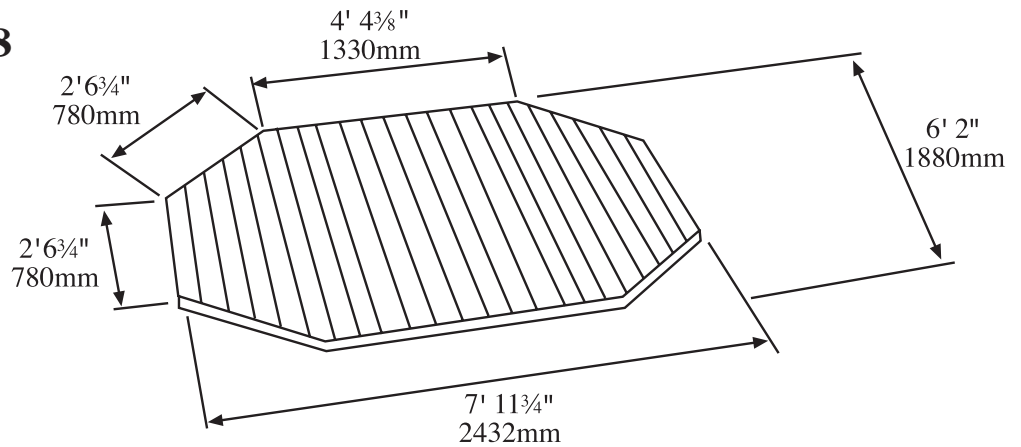
SUMMERHOUSE FLOOR DIMENSION LAYOUT

FLOOR DIMENSION

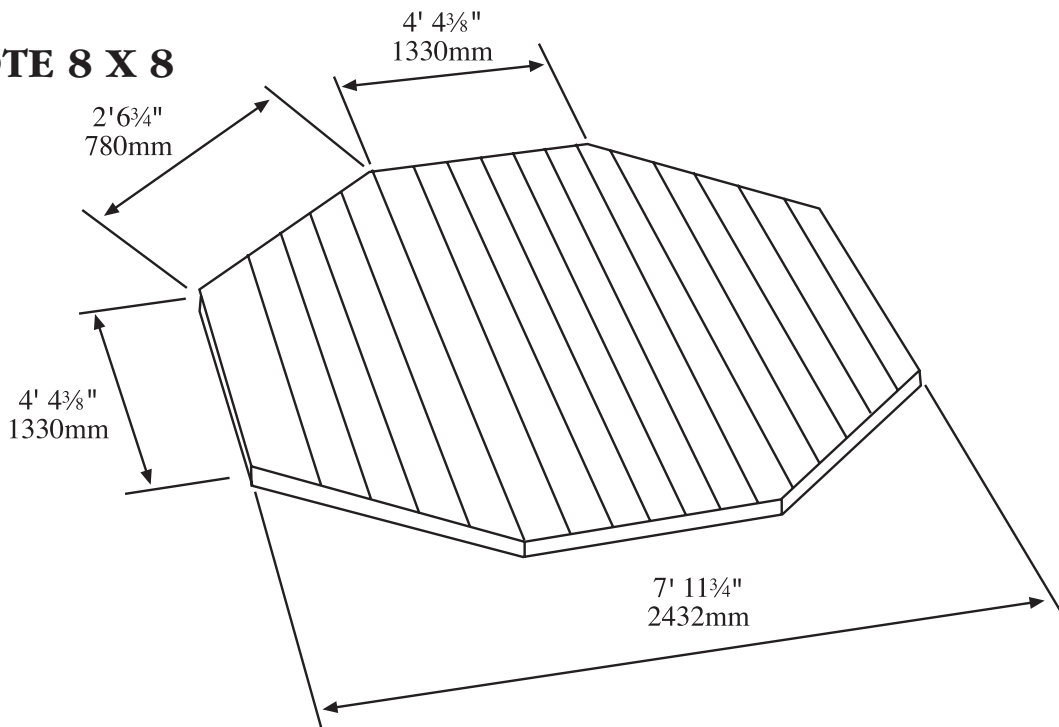
CHERWELL 6 X 6



CHESTERTON 6 X 8



CHARLECOTE 8 X 8



IT IS IMPORTANT THAT THE SUMMERHOUSE IS ERECTED ON FIRM AND LEVEL GROUND. IF NOT, THIS WILL UNDOUBTEDLY EFFECT THE CONSTRUCTION. YOU MAY CHOOSE TO LAY PAVING SLABS OR CONSTRUCT A CONCRETE SLAB FOR THE BASE OF THE SUMMERHOUSE TO REST ON.